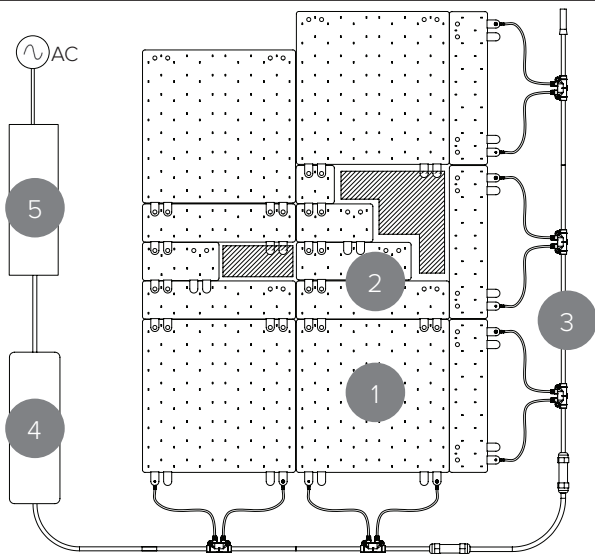




## COOLEGE TILE EXTERIOR CUL LISTED - SPECIFICATIONS

PROJECT		REFERENCE TYPE	
SPECIFIED BY		QUANTITY	
DATE		NOTE	For Luminous Surfaces

### SYSTEM OVERVIEW



Illuminate facades, canopies, entrances (including arches & columns) and large-scale graphics.

1	TILE Exterior
2	TILE Exterior Fit - 1, 2, 3, or 4 (optional)
3	TILE Exterior Starter Cable
4	Control Module
5	Power Supply

Also available: TILE Exterior Fit Kit

### GENERAL

Location	Wet location (not for submersion)
Operating Temp.*	-4°F - +131°F (-20°C - +55°C)
Ingress Protection	min. IP65 (on all system components)
Storage Temp.	-40°F - +158°F (-40°C - +70°C)
Electrical Connections	Proprietary tool-less IP65 snap connectors
Base Material	Thermally Stabilized Flexible PET
Exposure	Not for use in direct sunlight - intended for installation behind luminous surface materials

\*Some LED power supply models have a maximum operating temperature=122°F (50°C)

### SPECIFICATION

UL Listed Wet Location lighting system inclusive of flexible light emitting sheets, connectors, low voltage cables, and LED power supplies. All system components listed above must have a minimum ingress protection rating of IP65. Light output from the system must be +/- 10% of 600/300 lm/sqft across the total illuminated area post-installation. Color Rendering Index (CRI) must be >80 and color consistency between light sheets must be typical 2 SDCM. Electrical connections between light emitting sheets and between cables and light emitting sheets must be tool-less and allow more than one connect/disconnect iteration. System must be configurable on-site to accommodate obstacles, angles, and curves; and must not require the use of additional sealants or tapes of any type. System warranty must be a minimum of 5 years.

### FEATURES

- The entire TILE Exterior system including light sheets, connectors, cables, and LED power supplies is rated for wet location environments
- “True-Temp” optics ensure minimal CCT shift from the rated color temperature of the LEDs
- Proprietary waterproof snap connectors maintain the simplicity of tool-less connections unique to Cooledge TILE products
- Field configurable to manage obstacles such as standoffs and conform to shapes and unusual dimensions where necessary
- Constant lumen output and high color consistency ensure seamless illumination through exterior surface materials

Cooledge Lighting Inc.  
110-13551 Commerce Parkway  
Richmond, BC V6V 2L1 Canada

O +1 604 273 2665  
F +1 604 273 2660  
T +1 844 455 4448  
W cooledgelighting.com

Cooledge Lighting reserves the right to change materials or modify the design of its product without notification as part of the company's continuing product improvement program.

# COOLEGE TILE EXTERIOR CUL LISTED - SPECIFICATIONS

## PHOTOMETRICS<sup>1</sup>

Light Output (lm) - per TILE	600, 300
Correlated Color Temperature (CCT)	2700K, 3000K, 3500K, 4000K, 5700K
Color Rendering Index (CRI)	≥ 80
Color Uniformity	2 SDCM (typical)
Lumen Maintenance <sup>2</sup>	L80 = 50,000hr

A proprietary process that measures flux, color uniformity and color rendering ensures that Coolege LINE light emitting sheets meet stringent specifications for optical performance.

<sup>1</sup> Photometric files available from [cooledgelighting.com](http://cooledgelighting.com)

<sup>2</sup> Based on LM80 data & TM-21 calculations

## POWER

Light Output (lm)	CCT	Power (W)
600	2700K	5.4
	3000K	5.1
	3500K	5.0
	4000K	5.0
	5700K	5.0
300	2700K	2.7
	3000K	2.6
	3500K	2.5
	4000K	2.5
	5700K	2.5

## CERTIFICATIONS



UL 2108 Wet Location



# RoHS

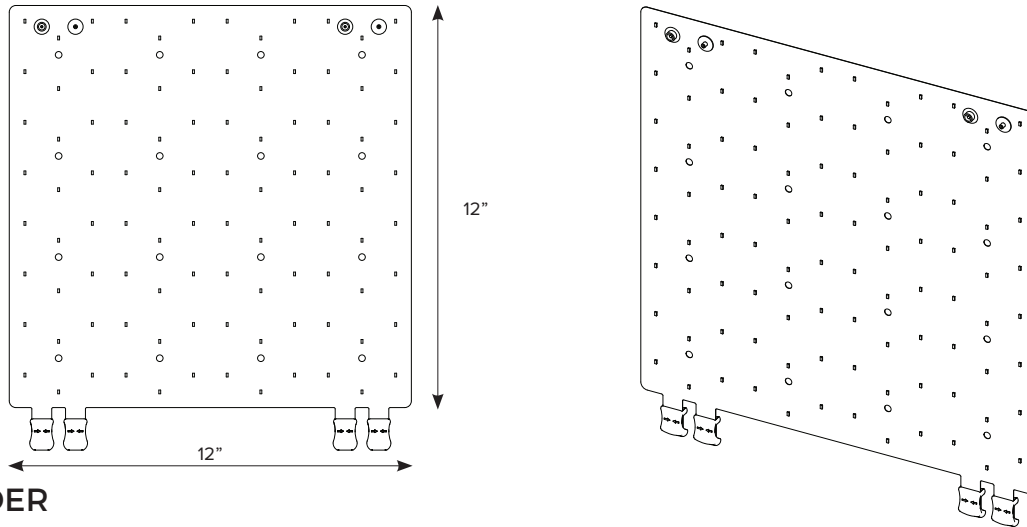
## WARRANTY



5 Year Limited Warranty:  
Parts and workmanship when  
used with a Coolege approved  
power supply.

# COOLEGE TILE EXTERIOR CUL LISTED - SPECIFICATIONS

## 1 TILE EXTERIOR



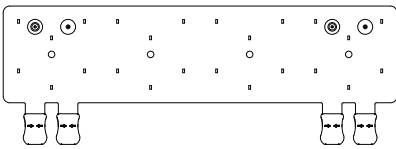
### HOW TO ORDER

TILE	-	EXT	-	-	-
<u>PRODUCT</u> TILE		<u>TYPE</u> EXT = Exterior		<u>FLUX</u> 600 = 600lm 300 = 300lm	<u>CCT</u> 27 = 2700K 30 = 3000K 35 = 3500K 40 = 4000K 57 = 5700K

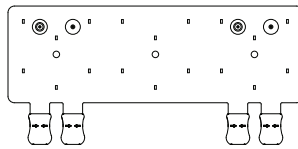
Example: TILE-EXT-600-40

## 2 TILE EXTERIOR FIT

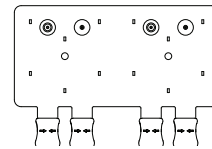
**Purpose:** Individually sealed smaller TILE Exterior segments used to negotiate obstacles such as standoffs and supports, accommodate angles and curves, or fill spaces at the edges of layouts.



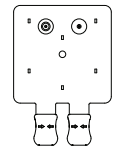
TACC-EXT-FIT-xxx-yy-4



TACC-EXT-FIT-xxx-yy-3



TACC-EXT-FIT-xxx-yy-2



TACC-EXT-FIT-xxx-yy-1

### HOW TO ORDER

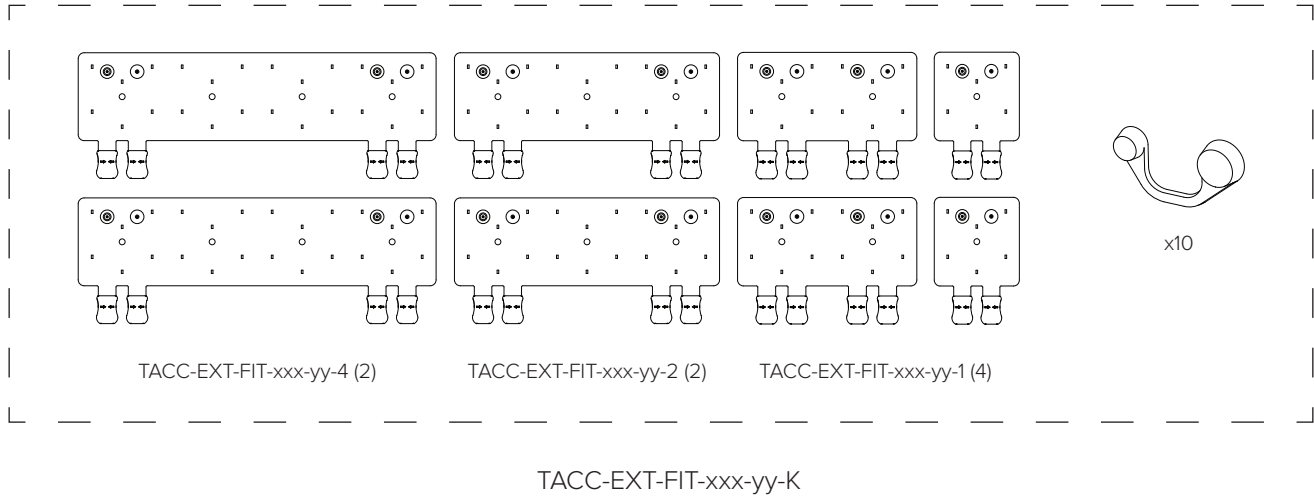
TACC	-	EXT	-	FIT	-	-	-	
<u>PRODUCT</u> TACC = TILE Accessory		<u>TYPE</u> EXT = Exterior		<u>KIT</u> FIT = Fit Segment		<u>FLUX</u> 600 = 600lm 300 = 300lm	<u>CCT</u> 27 = 2700K 30 = 3000K 35 = 3500K 40 = 4000K 57 = 5700K	<u>SEGMENTS</u> 1 2 3 4

Example: TACC-EXT-FIT-300-35-4

# COOLEGE TILE EXTERIOR CUL LISTED - SPECIFICATIONS

## ADDITIONAL ACCESSORIES: TILE EXTERIOR FIT KIT

**Purpose:** A set of TILE Exterior Fit segments and connector caps available to address unexpected obstacles encountered on-site. The kit is designed to fill any void space around objects within a 12” x 12” area. *TILE Exterior Fit Kits are pre-packaged for rapid shipment to mitigate delays.*



## HOW TO ORDER

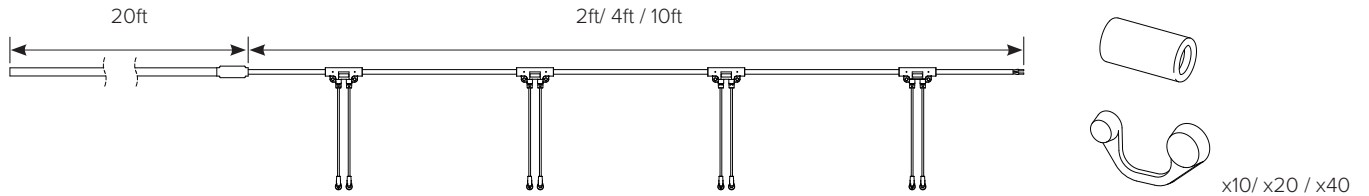
TACC	-	EXT	-	FIT	-	-	-	K
<u>PRODUCT</u> TACC = TILE Accessory		<u>TYPE</u> EXT = Exterior		<u>KIT</u> FIT = Fit Segment		<u>FLUX</u> 600 = 600lm 300 = 300lm	<u>CCT</u> 27 = 2700K 30 = 3000K 35 = 3500K 40 = 4000K 57 = 5700K	<u>SEGMENTS</u> K = KIT

Example: TACC-EXT-FIT-300-35-K

# COOLEGE TILE EXTERIOR CUL LISTED - SPECIFICATIONS

## 3 TILE EXTERIOR STARTER CABLE

**Purpose:** Makes the electrical connection between the LED power supply and the TILE Exterior light emitting sheets to supply power to the system.



### INCLUDED

- 1 20ft section of 16 AWG wet location rated cable – no connectors (factory joined to variable length cable)
- 1 Section of 18 AWG wet location rated cable with over-molded “Y” connectors – choice of 2ft or 4ft length to power 1-4 runs, or 10ft length to power 5-10 runs
- 1 Termination Cap (tool-less) to cap cable end
- 10/20/40 Connector Caps (required) to cap unused connectors on TILE Exterior light emitting sheets

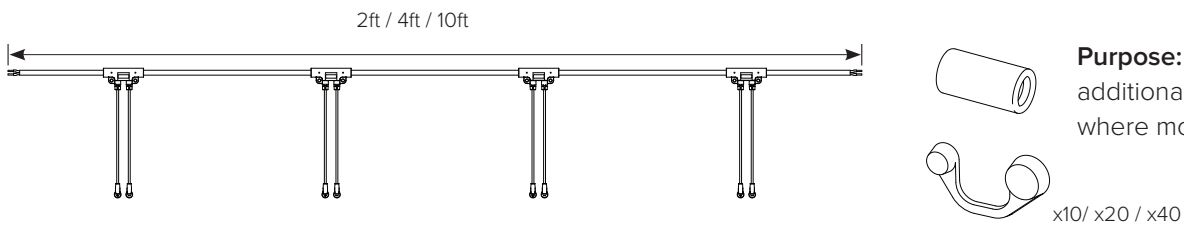
### HOW TO ORDER

TCBL	-	EXT	-	STR	
PRODUCT		TYPE		FUNCTION	LENGTH
TCBL = TILE Cable		EXT = Exterior		STR = Starter	22 = 2ft + 20ft
					24 = 4ft + 20ft
					30 = 10ft + 20ft

Example: TCBL-EXT-STR-30

## ADDITIONAL WIRING ACCESSORIES

### EXTENSION CABLES



**Purpose:** Supplies power to additional runs for layouts where more than 10 runs exist.

### INCLUDED

- 1 Section of 18 AWG wet location rated cable with over-molded “Y” connectors – choice of 2ft or 4ft length to power 1-4 runs or 10ft length to power 5-10 runs
- 1 Termination Cap (tool-less) to cap cable end
- 10/20/40 Connector Caps (required) to cap unused connectors on TILE Exterior light emitting sheets

### HOW TO ORDER

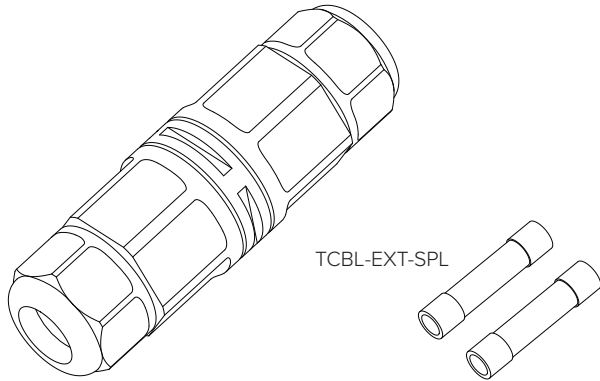
TCBL	-	EXT	-	LNG	
PRODUCT		TYPE		FUNCTION	LENGTH
TCBL = TILE Cable		EXT = Exterior		LNG = Length (Additional)	2 = 2ft
					4 = 4ft
					10 = 10ft

Example: TCBL-EXT-LNG-4

# COOLEGE TILE EXTERIOR CUL LISTED - SPECIFICATIONS

## ADDITIONAL WIRING ACCESSORIES (cont.)

### WATERPROOF CABLE SPLICE



**Purpose:** A waterproof connection for when two cables must be connected together.

Eg. to make a connection between a Starter Cable and an Extension Cable

Includes (2) crimp connectors suitable for 16-20AWG conductors

Maximum outer cable jacket diameter 0.472in

### HOW TO ORDER

TCBL	-	EXT	-	SPL
<b>PRODUCT</b> TCBL = TILE Cable		<b>TYPE</b> EXT = Exterior		<b>FUNCTION</b> SPL = Splice

Example: TCBL-EXT-SPL

## 4 POWER AND CONTROL

Specifications for the power supplies and Coolege Control Modules shown below are available in:  
- Power and Control Specifications (UL Listed)

The models shown below are those that are compatible with TILE Exterior Systems for regions where cUL Listed products are required.

### POWER SUPPLIES (24V)

**Purpose:** Convert AC main (line) power to safe, low voltage DC power. (Required)

Order Code	# Controller Channels *	Enclosure
EPSS-100-24V	1	IP65
EPSS-400-24V	4	IP65

\*Class 2 (max 90W) output

### COOLEGE CONTROL MODULES (24V)

**Purpose:** Receives 24VDC power from the power supply and converts it to max. 90W per channel of controlled output to drive TILE Exterior sheets. Also receives input control from one of 4 protocol options to control dimming levels. (Optional)

Order Code	Protocols
CTR-SCT-DALI-24V	0-10V, DALI
CTR-SCT-DMX-24V	DMX
CTR-SCT-CAS-24V	Casambi (wireless)